

Pump Machine Series - KCP3

Adjustable flow, Intelligent pump machine, Support to change the direction of liquid



KCP3 series adjustable flow rate peristaltic pump is designed based on the KCP series peristaltic pump. The users can adjust the flow rate through the Rotatio button as well as can switch the direction of the transfer liquid. This type of pump can meet your various flow rate and duplex transmission requirements. The cost is very low in adjustable flow pump.

- Working temperature : 0~40°C
- Relative humidity : < 80%
- Weight : 587g
- Tubing length:
135mm(29.5mm exposed), BPT
175mm(49.5mm exposed), Silicon tubes



Instrument Equipment
The accessories for water bath



Aquarium
Using for fish tank 's water cycle, adding the microelement, change the water

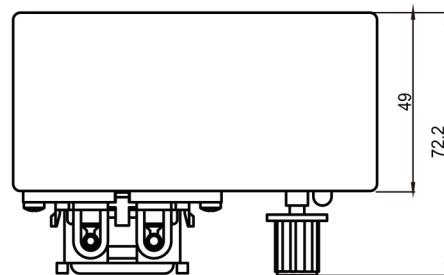
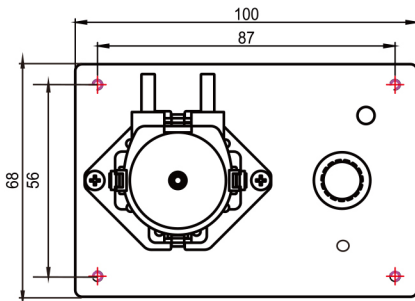


Teaching equipment
School, research institutes



Experiment
Dispense the liquid
Extract and filling the liquid on time

Size(Unit: mm)



Code		S02	S04	S06	S08	S10	B06	B08
ID*OD(mm)		0.6*3.0	1.0*3.3	2.0*4.0	2.5*4.5	3.0*5.0	2.0*4.0	2.5*4.5
Tube Material		Silicon	Silicon	Silicon	Silicon	Silicon	BPT	BPT
Flow Rate(ml/min)	24V Power 5W	2.6~4	4~14	11~34	17~50	19~65	9.3~32	14.6~41.5