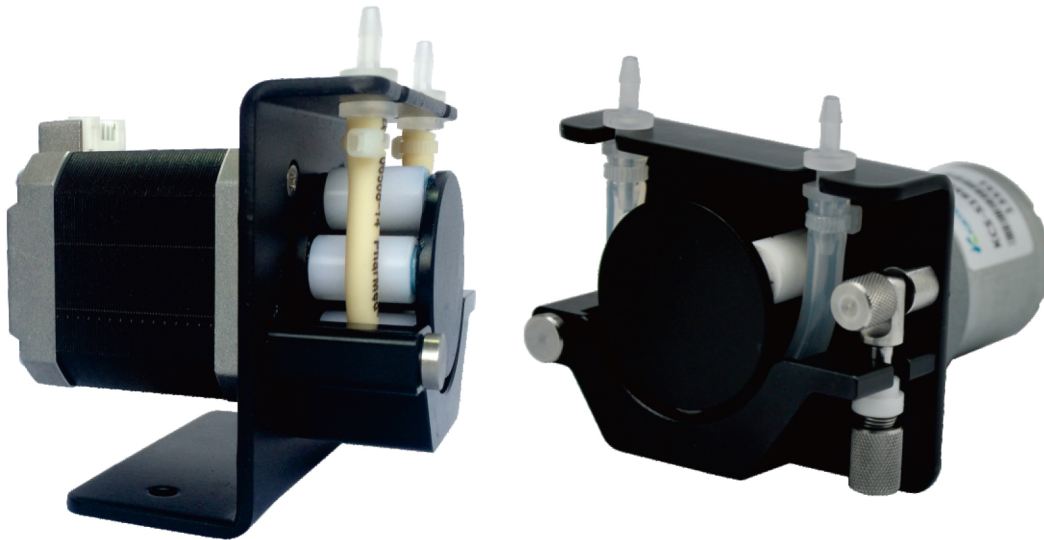


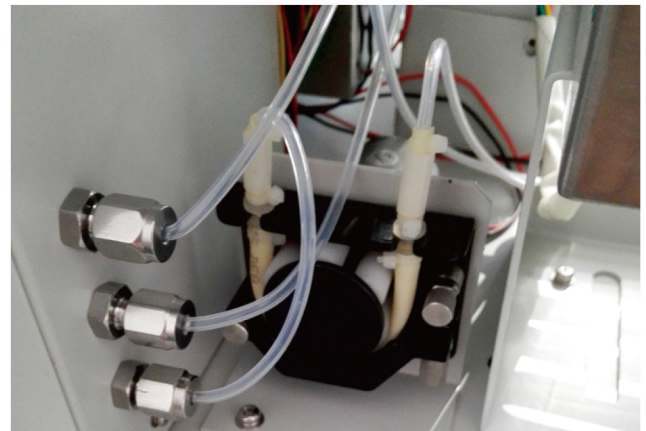


High precision, Stepper motor



### KCS Peristaltic pump

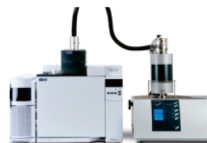
KCS Peristaltic pump with wall thickness 1.6mm or 0.85mm tube; Flow rate can up to 350ml/min;  
Optional roller number of KCS(wall thickness 1.6mm) Series peristaltic pump: 3 or 6 rollers.  
Optional food grade silicone tubing pipe and Pharmed® BPT tube.  
This product has two types, one is KCS DC motor peristaltic pump and another one is KCS stepper motor peristaltic pump, products with high transmission, low interference, low noise.



### APPLICATION AREAS



Laboratory  
Liquid packaging, distribution, Quantitative extraction and filling



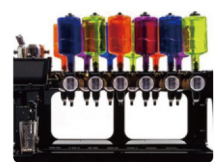
Instruments equipment  
Medical instrument and equipment Analysis equipment Environmental protection equipment



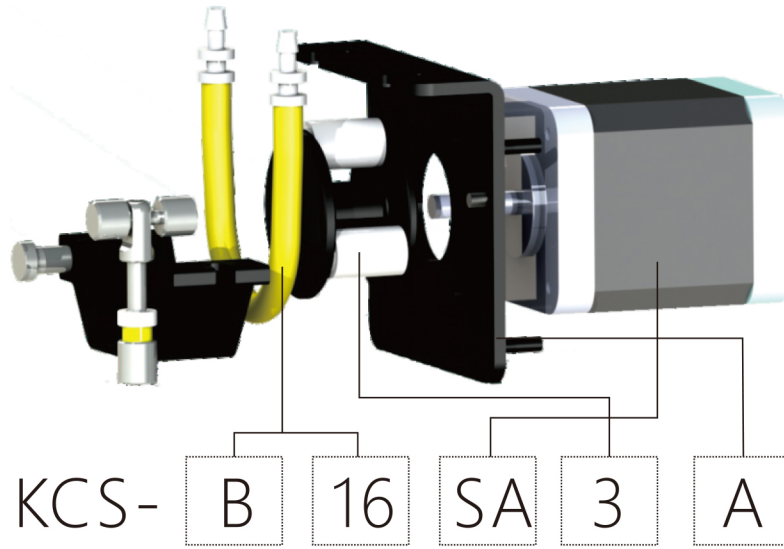
Water quality analysis  
Environmental protection, water treatment



Biochemical Analyzer  
Use with the equipment, Liquid transport, sampling, bottling

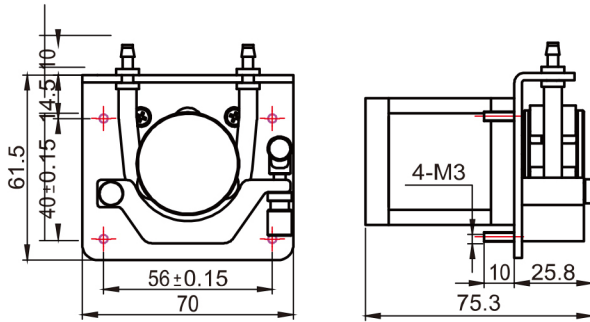


Food  
Liquid blending

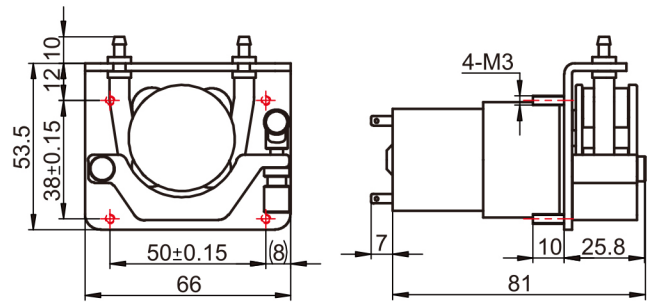


Valid installation method for stepper motor

Unit: mm



Valid installation method for DC motor



	Code	13	14	19	16	40	02	01	00
Flow rate (ml/min)	ID*OD (mm)	0.8*4.0	1.6*4.8	2.4*5.6	3.2*6.4	4.0*7.2	1.65*3.35	2.54*4.24	2.79*4.49
	Tube material	S	S/B/N	S/B	S/B/N	S	V	V	V
24V Stepper motor Power 20W	3 roller	18	54	117	171	306	45	100	130
	6 roller	16	47	95	135	207	/	/	/
12V Stepper motor Power 20W	3 roller	18	54	117	171	306	32	70	90
	6 roller	16	47	95	135	207	/	/	/
24V DC motor Power 2W	3 roller	5.5	18	36	61	99	21	49	58
	6 roller	4	13.5	27	45	60	/	/	/
12V DC motor Power 2W	3 roller	4.5	16	32	56	90	21	49	58
	6 roller	4	13.5	27	45	60	/	/	/

Note: the above flow rate was measured by pump in 450RPM, medium: water