

NKP Peristaltic Pump

Product manual

A/2 Version

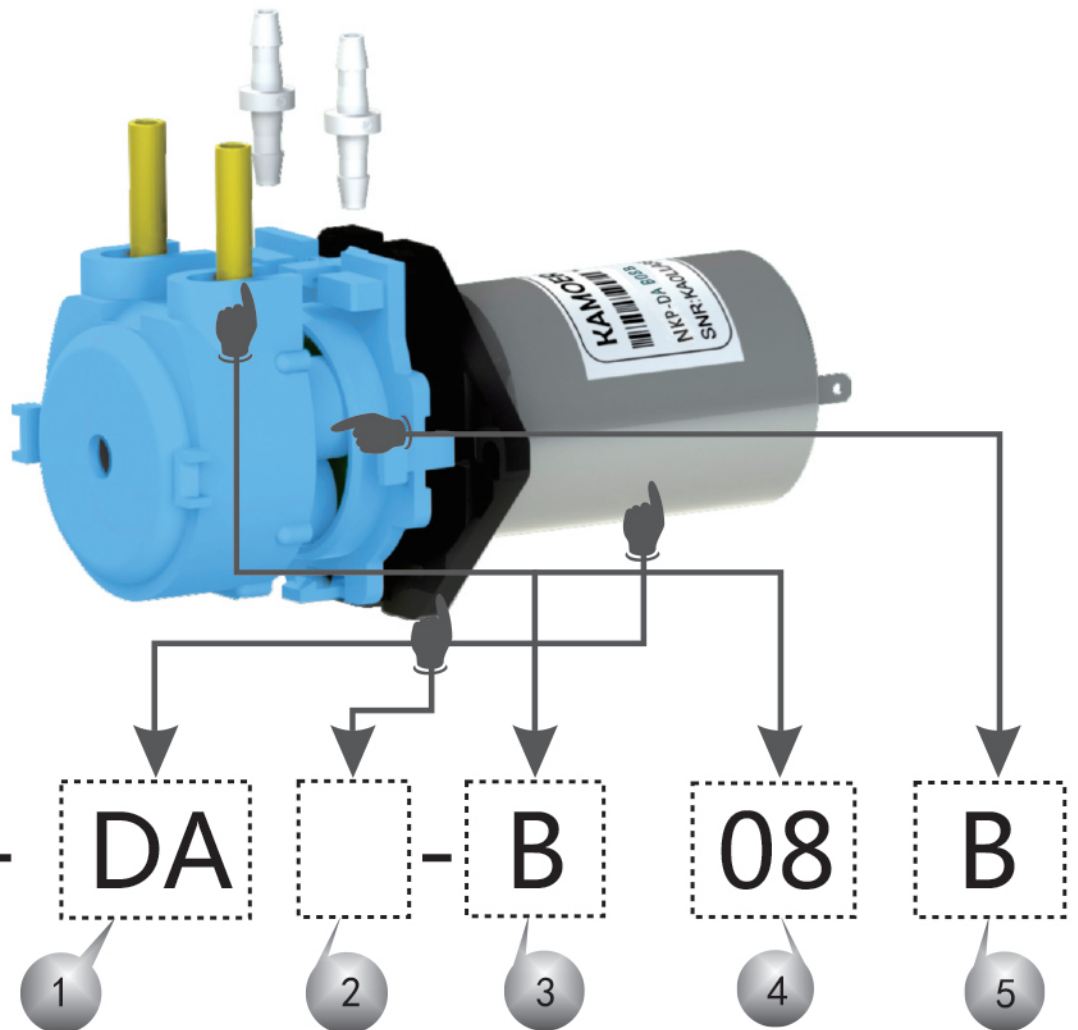
KAMOER fluid tech (shanghai) Co.,Ltd.

NKP peristaltic pump series

It has a flow rate range of 5.2-90ml/min with a relatively smaller volume and lower power dissipation.

Features

- ◆ Easy and quick to change pump head
- ◆ Positive inversion structure
- ◆ Lowest level of noise and cost
- ◆ Simple structure, Virtually non-maintenance
- ◆ Moderate pulse with three rotors



1 Motor options:

- DA : 24V DC motor DE : 6V DC motor
- DC : 12V DC motor DH : 3V DC motor

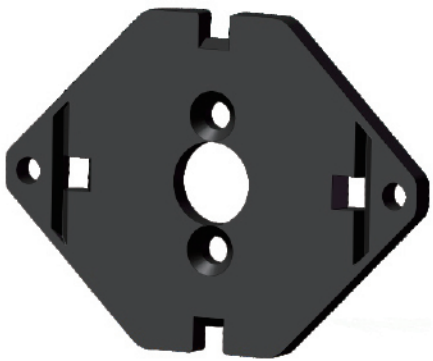
NKP- DA -B08B


2 Optional mounting plates

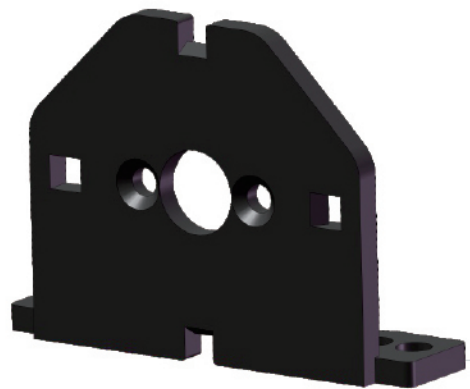
目前我们提供用户两种安装方式：

- A. L-form plate and straight plate
 - B. L-form plate marked as 1 and straight plate marked as 0
- E.g. KP-B08 DA C0 means straight plate and KP-B08 DA C1 means L-form plate.

NKP- DA -B08B

Straight plate



L plate

3. Options for tubing material :

NKP- DA -B08B


Tubes	Materials
B	PharMed®BPT
S	Silicon

4. Referred flowrates of different sizes and motors of tubing NKP- DA -B08B

Flow rate: ml/min, size: mm



Code	S04	S06	S08	S10	B06	B08	
ID*OD	1.0×3.3	2.0×4.0	2.5×4.5	3.0×5.0	2.0×4.0	2.5×4.5	
Material	S	S	S	S	BPT	BPT	
Flow rate	DH	≥5.2	≥20	≥30	≥41.5	≥15	≥22
	DC	≥11	≥39	≥55	≥80	≥33	≥47
	DE	≥11	≥45	≥60	≥90	≥38	≥48
	DA	≥11	≥40	≥59	≥83	≥34	≥48

5. Color code

Yellow (Y) ■ Green (G) ■

NKP- DA -B08B

Black (D) ■ Blue (B) ■

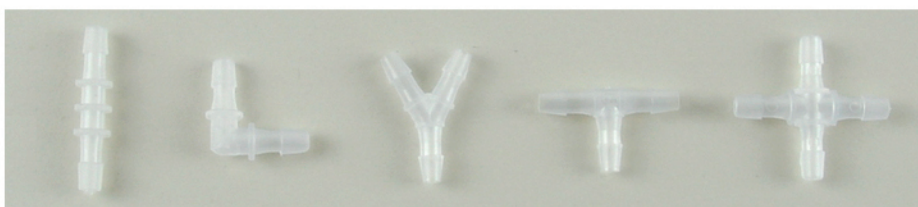


6 Pipe connectors

Size of pipe connectors and recommended tubes of different inside diameters

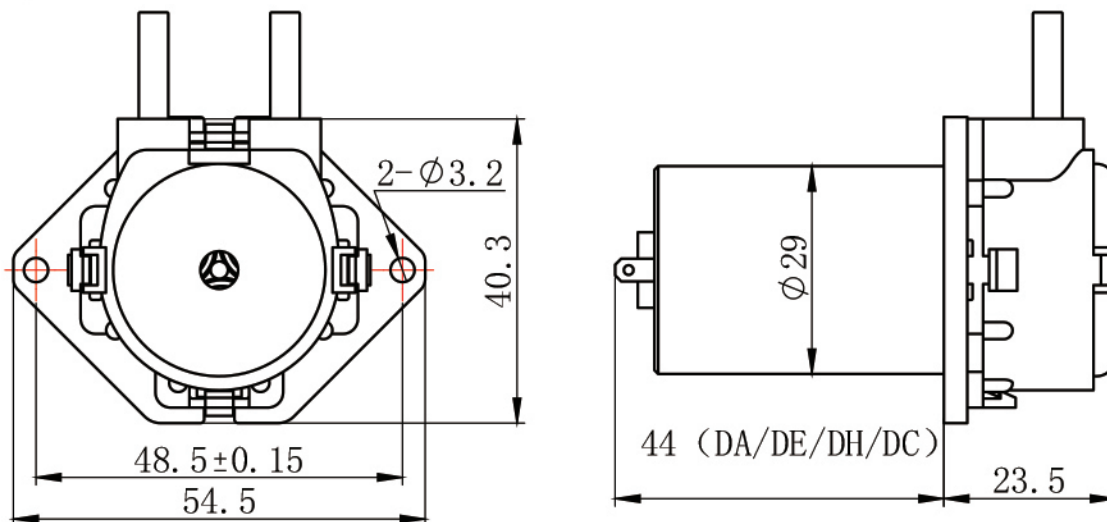
Conn-ectors	straight	L-shaped	Y-shaped	T-shaped	X-shaped	Suitable ID
1/16	32050004 A0	32050027 A1	32050006 A2	/	32050039 A4	$0.6 \leq \Phi \leq 1.6$
3/32	32050038 B0	32050028 B1	32050029 B2	32050053 B3	/	$1.6 < \Phi \leq 2.4$
1/8	25010021 C0	32050037 C1	32050015 C2	32050020 C3	32050019 C4	$2.4 < \Phi \leq 3.2$

Shapes of pipe connectors are as follows:

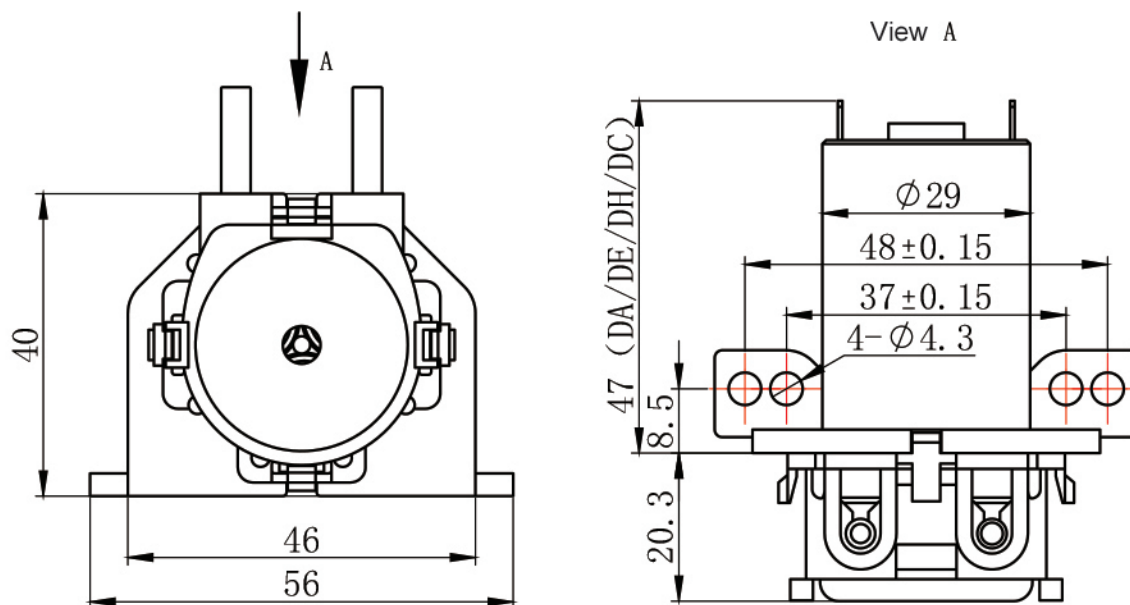


Size

Straight plate



L plate



Product Parameters

Tubing length: 135mm(29.5mm exposed),BPT
175mm(49.5mm exposed),Silicon tubes

Operating condition: Ambient temperature 0~40°C
Relative humidity (RH)<80%

Weight: 110g



Your fluid Expert

KAMOER fluid tech (shanghai) Co.,Ltd.

TEL:86-21-67742578 67741937

FAX:86-21-67741776

www.kamoer.com

ADD:Building 7#No 7459,Beisong Road,
Songjiang District,Shanghai,China